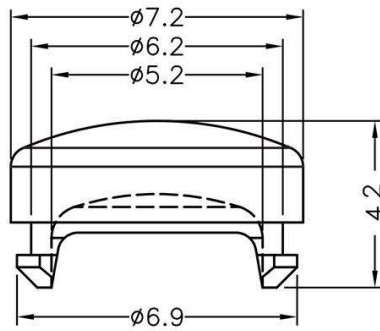




Text

MATERIAL:PC(UL)
FLAME CLASS:94V-2
COLOR:TRANSPARENT
UNIT:mm



MOUNTING HOLE $\varnothing 6.3$
THICKNESS 0.8